

Company:

Ship To:

Account Number:

Date:

Address:

Quote: PO Number:

City:

Province:

Clinician / Sales Rep:

Postal Code:

Phone:

Marked For:

Email/Fax:

Associated Quote/Order#:

Submit Form

Effective: 10/31/2023

Rogue2 _____ \$3895

Rogue Standard Frame 275 lb Weight Capacity

Frame

Seat Width

See reference A on page 7

- 12" _____ N/C
- 13" _____ N/C
- 14" _____ N/C
- 15" _____ N/C
- 16" _____ N/C
- 17" _____ N/C
- 18" _____ N/C
- 19" _____ N/C
- 20" (E2201) _____ \$295

Seat Depth

See reference B on page 7

- 14" _____ N/C
- 15" _____ N/C
- 16" _____ N/C
- 17" _____ N/C
- 18" _____ N/C
- 19" _____ N/C
- 20" (E2203) _____ \$295

Transit Option

- Transit System _____ \$399
Cannot be retrofitted. Requires Expanded Width Caster Position.
- Omit _____ N/C

Adjustable Depth

Adds the capability to grow seat in depth

- No Rear Adjustment _____ N/C
- 1/2" _____ N/C
- 1" _____ \$75
- 2" _____ \$165

Sling Position

In Performance Position (0°), sling is at front of frame. The 1" or 2" sling position extends the frame in front of the sling by that amount. See reference C on page 7.

- 0" (Performance) _____ N/C
- 1" _____ N/C
- 2" (Classic) _____ N/C

Seat Option

- Standard Seat Sling _____ N/C
- Aluminum Solid Seat Pan _____ \$265

Front Frame Bend

Angle between front seat tube and ground. See reference D on page 7.

- 90° _____ N/C
- 85° _____ N/C
- 80° _____ N/C
- 75° _____ N/C
- 70° _____ N/C

Backrest

Back Post / Height Range / Back Height							
Back Post	Price	Height Range	Back Height				
Height Adjustable	N/C	<input type="checkbox"/> Height Adjustable Short Back Post	<input type="checkbox"/> 11" ²	<input type="checkbox"/> 12"	<input type="checkbox"/> 13"	<input type="checkbox"/> 14"	
		<input type="checkbox"/> Height Adjustable Medium Back Post	<input type="checkbox"/> 13"	<input type="checkbox"/> 14"	<input type="checkbox"/> 15"	<input type="checkbox"/> 16"	<input type="checkbox"/> 17"
		<input type="checkbox"/> Height Adjustable Tall Back Post	<input type="checkbox"/> 17"	<input type="checkbox"/> 18"	<input type="checkbox"/> 19"	<input type="checkbox"/> 20"	
Fixed Height ¹	\$95	<input type="checkbox"/> Fixed Height Straight Back Post	<input type="checkbox"/> 9" ²	<input type="checkbox"/> 10" ²	<input type="checkbox"/> 11" ²	<input type="checkbox"/> 12"	<input type="checkbox"/> 13"
			<input type="checkbox"/> 14"	<input type="checkbox"/> 15"	<input type="checkbox"/> 16"	<input type="checkbox"/> 17"	<input type="checkbox"/> 18"

¹ Not available with back upholstery
² Not available with Fold Down Push Handle

Seat Back Angle

Standard is 90° (perpendicular to floor). Minus (-°) closes back angle. Plus (+°) opens back angle.

Standard +3° +6° +9° -3° -6° -9° -12° _____ N/C

Back Upholstery Options

Available only with Height Adjustable Back Posts. If selecting both upholstery and Axiom Back, the upholstery will be installed.

Padded Velcro Adjustable with Standard Cover _____ N/C
 Padded Velcro Adjustable with Air Mesh Breathable Cover _____ \$75
 Tension Adjustable with Standard Cover _____ \$385
 Tension Adjustable with Air Mesh Breathable Cover _____ \$450
 Omit _____ -\$10

Front Seat Height and Casters

Caster Size / Footrest Taper / Front Seat Height

Select Front Seat Height and Footrest Taper in row corresponding to Caster Size. 6" casters not available with 85° and 90° Front Frame Bend.
 Footrest Taper indicates bend of front frame creating footrest width. Taper is measured from outside of seat frame to outside of front tube. 2" Taper not available with 75° Front Frame Bend. Taper is not available with 70° Front Frame Bend. See reference E on page 7.
 Front Seat Height is measured from floor to top of seat tube at front of seat sling. Adjustable up or down by 1/2". See reference F on page 7.

Footrest Taper	Price	Caster Size	Front Seat Height														
			<input type="checkbox"/> 13.5"	<input type="checkbox"/> 14"	<input type="checkbox"/> 14.5"	<input type="checkbox"/> 15"	<input type="checkbox"/> 15.5"	<input type="checkbox"/> 16"	<input type="checkbox"/> 16.5"	<input type="checkbox"/> 17"	<input type="checkbox"/> 17.5"	<input type="checkbox"/> 18"	<input type="checkbox"/> 18.5"	<input type="checkbox"/> 19"	<input type="checkbox"/> 19.5"	<input type="checkbox"/> 20"	<input type="checkbox"/> 20.5"
<input type="checkbox"/> Straight	N/C	3"	<input type="checkbox"/>	<input type="checkbox"/>	<input type="checkbox"/>	<input type="checkbox"/>	<input type="checkbox"/>	<input type="checkbox"/>	<input type="checkbox"/>	<input type="checkbox"/>	<input type="checkbox"/>	<input type="checkbox"/>	<input type="checkbox"/>	<input type="checkbox"/>	<input type="checkbox"/>	<input type="checkbox"/>	<input type="checkbox"/>
		4"	<input type="checkbox"/>	<input type="checkbox"/>	<input type="checkbox"/>	<input type="checkbox"/>	<input type="checkbox"/>	<input type="checkbox"/>	<input type="checkbox"/>	<input type="checkbox"/>	<input type="checkbox"/>	<input type="checkbox"/>	<input type="checkbox"/>	<input type="checkbox"/>	<input type="checkbox"/>	<input type="checkbox"/>	<input type="checkbox"/>
		5"	<input type="checkbox"/>	<input type="checkbox"/>	<input type="checkbox"/>	<input type="checkbox"/>	<input type="checkbox"/>	<input type="checkbox"/>	<input type="checkbox"/>	<input type="checkbox"/>	<input type="checkbox"/>	<input type="checkbox"/>	<input type="checkbox"/>	<input type="checkbox"/>	<input type="checkbox"/>	<input type="checkbox"/>	<input type="checkbox"/>
		6"	<input type="checkbox"/>	<input type="checkbox"/>	<input type="checkbox"/>	<input type="checkbox"/>	<input type="checkbox"/>	<input type="checkbox"/>	<input type="checkbox"/>	<input type="checkbox"/>	<input type="checkbox"/>	<input type="checkbox"/>	<input type="checkbox"/>	<input type="checkbox"/>	<input type="checkbox"/>	<input type="checkbox"/>	<input type="checkbox"/>
<input type="checkbox"/> 1"	N/C	3"	<input type="checkbox"/>	<input type="checkbox"/>	<input type="checkbox"/>	<input type="checkbox"/>	<input type="checkbox"/>	<input type="checkbox"/>	<input type="checkbox"/>	<input type="checkbox"/>	<input type="checkbox"/>	<input type="checkbox"/>	<input type="checkbox"/>	<input type="checkbox"/>	<input type="checkbox"/>	<input type="checkbox"/>	<input type="checkbox"/>
		4"	<input type="checkbox"/>	<input type="checkbox"/>	<input type="checkbox"/>	<input type="checkbox"/>	<input type="checkbox"/>	<input type="checkbox"/>	<input type="checkbox"/>	<input type="checkbox"/>	<input type="checkbox"/>	<input type="checkbox"/>	<input type="checkbox"/>	<input type="checkbox"/>	<input type="checkbox"/>	<input type="checkbox"/>	<input type="checkbox"/>
		5"	<input type="checkbox"/>	<input type="checkbox"/>	<input type="checkbox"/>	<input type="checkbox"/>	<input type="checkbox"/>	<input type="checkbox"/>	<input type="checkbox"/>	<input type="checkbox"/>	<input type="checkbox"/>	<input type="checkbox"/>	<input type="checkbox"/>	<input type="checkbox"/>	<input type="checkbox"/>	<input type="checkbox"/>	<input type="checkbox"/>
		6"	<input type="checkbox"/>	<input type="checkbox"/>	<input type="checkbox"/>	<input type="checkbox"/>	<input type="checkbox"/>	<input type="checkbox"/>	<input type="checkbox"/>	<input type="checkbox"/>	<input type="checkbox"/>	<input type="checkbox"/>	<input type="checkbox"/>	<input type="checkbox"/>	<input type="checkbox"/>	<input type="checkbox"/>	<input type="checkbox"/>
<input type="checkbox"/> 2"	N/C	3"	<input type="checkbox"/>	<input type="checkbox"/>	<input type="checkbox"/>	<input type="checkbox"/>	<input type="checkbox"/>	<input type="checkbox"/>	<input type="checkbox"/>	<input type="checkbox"/>	<input type="checkbox"/>	<input type="checkbox"/>	<input type="checkbox"/>	<input type="checkbox"/>	<input type="checkbox"/>	<input type="checkbox"/>	<input type="checkbox"/>
		4"	<input type="checkbox"/>	<input type="checkbox"/>	<input type="checkbox"/>	<input type="checkbox"/>	<input type="checkbox"/>	<input type="checkbox"/>	<input type="checkbox"/>	<input type="checkbox"/>	<input type="checkbox"/>	<input type="checkbox"/>	<input type="checkbox"/>	<input type="checkbox"/>	<input type="checkbox"/>	<input type="checkbox"/>	<input type="checkbox"/>
		5"	<input type="checkbox"/>	<input type="checkbox"/>	<input type="checkbox"/>	<input type="checkbox"/>	<input type="checkbox"/>	<input type="checkbox"/>	<input type="checkbox"/>	<input type="checkbox"/>	<input type="checkbox"/>	<input type="checkbox"/>	<input type="checkbox"/>	<input type="checkbox"/>	<input type="checkbox"/>	<input type="checkbox"/>	<input type="checkbox"/>
		6"	<input type="checkbox"/>	<input type="checkbox"/>	<input type="checkbox"/>	<input type="checkbox"/>	<input type="checkbox"/>	<input type="checkbox"/>	<input type="checkbox"/>	<input type="checkbox"/>	<input type="checkbox"/>	<input type="checkbox"/>	<input type="checkbox"/>	<input type="checkbox"/>	<input type="checkbox"/>	<input type="checkbox"/>	<input type="checkbox"/>
<input type="checkbox"/> 3.5° V-Front	N/C	3"	<input type="checkbox"/>	<input type="checkbox"/>	<input type="checkbox"/>	<input type="checkbox"/>	<input type="checkbox"/>	<input type="checkbox"/>	<input type="checkbox"/>	<input type="checkbox"/>	<input type="checkbox"/>	<input type="checkbox"/>	<input type="checkbox"/>	<input type="checkbox"/>	<input type="checkbox"/>	<input type="checkbox"/>	<input type="checkbox"/>
		4"	<input type="checkbox"/>	<input type="checkbox"/>	<input type="checkbox"/>	<input type="checkbox"/>	<input type="checkbox"/>	<input type="checkbox"/>	<input type="checkbox"/>	<input type="checkbox"/>	<input type="checkbox"/>	<input type="checkbox"/>	<input type="checkbox"/>	<input type="checkbox"/>	<input type="checkbox"/>	<input type="checkbox"/>	<input type="checkbox"/>
		5"	<input type="checkbox"/>	<input type="checkbox"/>	<input type="checkbox"/>	<input type="checkbox"/>	<input type="checkbox"/>	<input type="checkbox"/>	<input type="checkbox"/>	<input type="checkbox"/>	<input type="checkbox"/>	<input type="checkbox"/>	<input type="checkbox"/>	<input type="checkbox"/>	<input type="checkbox"/>	<input type="checkbox"/>	<input type="checkbox"/>
		6"	<input type="checkbox"/>	<input type="checkbox"/>	<input type="checkbox"/>	<input type="checkbox"/>	<input type="checkbox"/>	<input type="checkbox"/>	<input type="checkbox"/>	<input type="checkbox"/>	<input type="checkbox"/>	<input type="checkbox"/>	<input type="checkbox"/>	<input type="checkbox"/>	<input type="checkbox"/>	<input type="checkbox"/>	<input type="checkbox"/>
<input type="checkbox"/> 7° V-Front	N/C	3"	<input type="checkbox"/>	<input type="checkbox"/>	<input type="checkbox"/>	<input type="checkbox"/>	<input type="checkbox"/>	<input type="checkbox"/>	<input type="checkbox"/>	<input type="checkbox"/>	<input type="checkbox"/>	<input type="checkbox"/>	<input type="checkbox"/>	<input type="checkbox"/>	<input type="checkbox"/>	<input type="checkbox"/>	<input type="checkbox"/>
		4"	<input type="checkbox"/>	<input type="checkbox"/>	<input type="checkbox"/>	<input type="checkbox"/>	<input type="checkbox"/>	<input type="checkbox"/>	<input type="checkbox"/>	<input type="checkbox"/>	<input type="checkbox"/>	<input type="checkbox"/>	<input type="checkbox"/>	<input type="checkbox"/>	<input type="checkbox"/>	<input type="checkbox"/>	<input type="checkbox"/>
		5"	<input type="checkbox"/>	<input type="checkbox"/>	<input type="checkbox"/>	<input type="checkbox"/>	<input type="checkbox"/>	<input type="checkbox"/>	<input type="checkbox"/>	<input type="checkbox"/>	<input type="checkbox"/>	<input type="checkbox"/>	<input type="checkbox"/>	<input type="checkbox"/>	<input type="checkbox"/>	<input type="checkbox"/>	<input type="checkbox"/>
		6"	<input type="checkbox"/>	<input type="checkbox"/>	<input type="checkbox"/>	<input type="checkbox"/>	<input type="checkbox"/>	<input type="checkbox"/>	<input type="checkbox"/>	<input type="checkbox"/>	<input type="checkbox"/>	<input type="checkbox"/>	<input type="checkbox"/>	<input type="checkbox"/>	<input type="checkbox"/>	<input type="checkbox"/>	<input type="checkbox"/>

Push Handles

Omit Push Handle _____ N/C
 Standard Push Handle _____ N/C
 Low Profile Push Handle _____ \$55
 2" shorter than standard push handles
 Bolt-On Push Handle _____ \$170
 Handles will be 1" - 2" above back height
 Fold Down Push Handle _____ \$145

Stroller Handle

Stroller Handles are removable and height adjustable

Single Stroller Handle _____ \$206
 Double Stroller Handle _____ \$395
 Not available with Push Handles

Rigidizer Bar

Adjustable Height Rigidizer Bar _____ \$115
 Non-Adjustable Height Rigidizer Bar _____ N/C
 Not Available with Fixed Height Back Post

Casters

Caster Type		Price	Caster Size			
			3"	4"	5"	6"
	.75" Rollerblade	N/C	<input type="checkbox"/>	<input type="checkbox"/>		
	.75" Lighted Rollerblade	\$88	<input type="checkbox"/>	<input type="checkbox"/>		
	1" Poly	N/C		<input type="checkbox"/>	<input type="checkbox"/>	<input type="checkbox"/>
	1" Poly Aluminum	\$120		<input type="checkbox"/>	<input type="checkbox"/>	
	1" Pneumatic	\$80				<input type="checkbox"/>
	1.5" Poly	\$85		<input type="checkbox"/>	<input type="checkbox"/>	<input type="checkbox"/>
	1.5" Soft Roll Aluminum	\$150	<input type="checkbox"/>	<input type="checkbox"/>	<input type="checkbox"/>	<input type="checkbox"/>

Caster Position

See reference L on page 7

- Optimized N/C
Caster Placement minimizes the footprint of the chair
- Expanded Width N/C
Caster arm is positioned approximately .75" wider than Optimized position

Fork Options

- Standard Fork N/C
- Single Sided Fork \$156
- Frog Legs II Suspension System \$425
Lightweight shock absorbing fork. Not included in Colored Anodizing Package.

Footrest

Footplate

- Tubular "Open" Footplate N/C
Not available with V-Taper
- Tubular Footplate with ABS Cover \$38
Not available w/footrest widths greater than 15.5". See Reference G on page 7.
Not available with V-Taper.
- Aluminum Angle Adjustable N/C
- Aluminum Angle Adjustable with Riser \$190
- High Mount Aluminum Angle Adjustable \$190
Not available with V-Taper
- Angle Adjustable Flip Under \$230
Not available with footrest widths less than 9.5". Not available with V-Taper.
See Reference G on page 7.
- High Mount Angle Adjustable Flip Under \$295
Not available w/footrest widths greater than 15.5". See Reference G on page 7. Not available with V-Taper.
- Hybrid Angle Adjustable \$100
- Hybrid Angle Adjustable with Wings \$125

Footrest Protector

- Footrest Protector N/C
Not available with Angle Adjustable Flip Under, High Mount Angle Adjustable Flip Under or High Mount Aluminum Angle Adjustable Footplates

Seat to Footrest Length

Measured from front edge of seat sling to top, rear of footrest. Footrest length at least 2.5" shorter than Front Seat Height recommended. See reference H on page 7.

<input type="checkbox"/> 8"	<input type="checkbox"/> 8.5"	<input type="checkbox"/> 9"	<input type="checkbox"/> 9.5"	<input type="checkbox"/> 10"	<input type="checkbox"/> 10.5"
<input type="checkbox"/> 11"	<input type="checkbox"/> 11.5"	<input type="checkbox"/> 12"	<input type="checkbox"/> 12.5"	<input type="checkbox"/> 13"	<input type="checkbox"/> 13.5"
<input type="checkbox"/> 14"	<input type="checkbox"/> 14.5"	<input type="checkbox"/> 15"	<input type="checkbox"/> 15.5"	<input type="checkbox"/> 16"	<input type="checkbox"/> 16.5"
<input type="checkbox"/> 17"	<input type="checkbox"/> 17.5"	<input type="checkbox"/> 18"	<input type="checkbox"/> 18.5"	<input type="checkbox"/> 19"	<input type="checkbox"/> 19.5"

Rear Seat Height and Wheels

Wheel Size / Rear Seat Height

Select Rear Seat Height in row corresponding to desired Wheel Size. For proper setup, selection is required when omitting rear wheels. Measured from floor to top of seat tube at front of back post. Rear Seat Height is custom to needs. See reference I on page 7.

Wheel Size	Rear Seat Height															
20"	<input type="checkbox"/> 12.5" ¹	<input type="checkbox"/> 13"	<input type="checkbox"/> 13.5"	<input type="checkbox"/> 14"	<input type="checkbox"/> 14.5"	<input type="checkbox"/> 15"	<input type="checkbox"/> 15.5"	<input type="checkbox"/> 16"	<input type="checkbox"/> 16.5"	<input type="checkbox"/> 17"	<input type="checkbox"/> 17.5"	<input type="checkbox"/> 18"	<input type="checkbox"/> 18.5"	<input type="checkbox"/> 19"	<input type="checkbox"/> 19.5"	<input type="checkbox"/> 20"
22"	<input type="checkbox"/> 13.5" ¹	<input type="checkbox"/> 14"	<input type="checkbox"/> 14.5"	<input type="checkbox"/> 15"	<input type="checkbox"/> 15.5"	<input type="checkbox"/> 16"	<input type="checkbox"/> 16.5"	<input type="checkbox"/> 17"	<input type="checkbox"/> 17.5"	<input type="checkbox"/> 18"	<input type="checkbox"/> 18.5"	<input type="checkbox"/> 19"	<input type="checkbox"/> 19.5"	<input type="checkbox"/> 20"		
24"	<input type="checkbox"/> 14.5" ¹	<input type="checkbox"/> 15"	<input type="checkbox"/> 15.5"	<input type="checkbox"/> 16"	<input type="checkbox"/> 16.5"	<input type="checkbox"/> 17"	<input type="checkbox"/> 17.5"	<input type="checkbox"/> 18"	<input type="checkbox"/> 18.5"	<input type="checkbox"/> 19"	<input type="checkbox"/> 19.5"	<input type="checkbox"/> 20"				
25"	<input type="checkbox"/> 15" ¹	<input type="checkbox"/> 15.5"	<input type="checkbox"/> 16"	<input type="checkbox"/> 16.5"	<input type="checkbox"/> 17"	<input type="checkbox"/> 17.5"	<input type="checkbox"/> 18"	<input type="checkbox"/> 18.5"	<input type="checkbox"/> 19"	<input type="checkbox"/> 19.5"	<input type="checkbox"/> 20"					
26"	<input type="checkbox"/> 15.5" ¹	<input type="checkbox"/> 16"	<input type="checkbox"/> 16.5"	<input type="checkbox"/> 17"	<input type="checkbox"/> 17.5"	<input type="checkbox"/> 18"	<input type="checkbox"/> 18.5"	<input type="checkbox"/> 19"	<input type="checkbox"/> 19.5"	<input type="checkbox"/> 20"						

¹ Available only with Low Profile tires

One Arm Drive

- One Arm Drive - Quick Release \$1825
Available only with 20", 22" and 24" spoke wheels and quick release axles. Spoke wheel style provided is exclusive to OAD. Standard handrim will be Aluminum Anodized. Limitations exist based on rear wheel spacing, camber and armrest selections.
- Left Side Drive N/C
- Right Side Drive N/C
- Aluminum Drive Handrim N/C
- Poly Coated Drive Handrim \$200

Wheels

No selection needed with One Arm Drive

Rear Wheel Type	Price	Rear Wheel Size				
		20"	22"	24"	25"	26"
MAXX Spoke	N/C	<input type="checkbox"/>	<input type="checkbox"/>	<input type="checkbox"/>	<input type="checkbox"/>	<input type="checkbox"/>
Mag	N/C	<input type="checkbox"/>	<input type="checkbox"/>	<input type="checkbox"/>		
Mag (Color) ²	\$140	<input type="checkbox"/>	<input type="checkbox"/>	<input type="checkbox"/>		
Superlight Spoke	\$395			<input type="checkbox"/>	<input type="checkbox"/> ¹	
Spinergy Spox	\$820		<input type="checkbox"/>	<input type="checkbox"/>	<input type="checkbox"/>	<input type="checkbox"/>
Spinergy LX	\$1025		<input type="checkbox"/>	<input type="checkbox"/>	<input type="checkbox"/>	<input type="checkbox"/>

¹ Available only with Superlight and Plastic Coated Handrims

² Color selection on page 6

Spinergy Options

Select spoke color and handrim tab for Spinergy wheels

- Black Spokes Red Spokes Blue Spokes White Spokes _____ N/C

Rear Tire Type

Full Profile

- Street Pneumatic 1 3/8" _____ N/C
Not available on 25" wheel size
- Full Poly 1 3/8" _____ N/C
Not available on Superlight wheel or 25" or 26" wheel sizes
- Pneumatic with Airless Insert 1 3/8" _____ \$250
Not available on Superlight wheel or 25" wheel size
- Schwalbe HS-127 1 3/8" _____ \$119
Available only on 24" wheel size. Not available on Mag wheel
- Mountain 2" Black _____ \$119
Available only on 22", 24" and 25" MAXX wheels and Spinergy wheels

Low Profile

- Low Poly 1" _____ \$50
Not available on Superlight wheel, 25" or 26" wheel sizes
- Sentinel Solid Tire 1" _____ \$120
Not available on Superlight wheel
- High Pressure 1" _____ N/C
Not available on Mag wheel
- Schwalbe One 1" _____ \$135
Available only on 24" and 25" wheel sizes. Not available on Mag wheel
- Schwalbe Marathon Plus Evolution 1" _____ \$145
Not available on Mag wheel, 20" or 22" wheel sizes

Handrims

No selection needed with One Arm Drive

Standard Handrims

- Aluminum Anodized _____ N/C
- Superlight Aluminum Anodized _____ \$75
Available only on 24" and 25" wheel sizes. Available only on MAXX Spokes, Superlight or Spinergy wheels.
- Plastic Coated _____ \$119
- Projection (8 Vertical Projections) _____ \$299
Available only with full profile tires in combination with 22", 24", and 26" MAXX Spoke wheels, or 22" and 24" Mag wheels
- Omit Handrim _____ N/C

Ergonomic Handrims

Not available with 20" or 26" wheels. Tab mount only available with 24" wheels.

- Ergo Lite Regular Grip _____ \$445
- Ergo Standard Regular Grip _____ \$445
- Ergo Lite Extra Grip _____ \$495
- Ergo Standard Extra Grip _____ \$495
- Ergo Lite Omit Grip _____ \$375
- Ergo Standard Omit Grip _____ \$375

Handrim Options

Handrim Mount

If no selection is made, Standard Mount will be used

- Close Mount _____ N/C

Micro-Grip

- 3M Micro Grip _____ \$81
Not available on Plastic Coated or Projection Handrims

Axles

- Quick Release _____ N/C
- Quad Quick Release _____ \$219
Not available with Mag or Spinergy wheels

Center of Gravity Presets

Measured from front of back post to center of rear axle. 0" indicates axle will be directly under back post. See reference J on page 7.

Amputee Positions				
<input type="checkbox"/> -1.5"	<input type="checkbox"/> -1"	<input type="checkbox"/> -.5"	<input type="checkbox"/> 0"	<input type="checkbox"/> .25"
Standard Positions				
<input type="checkbox"/> .5"	<input type="checkbox"/> .75"	<input type="checkbox"/> 1"	<input type="checkbox"/> 1.25"	<input type="checkbox"/> 1.5"
<input type="checkbox"/> 1.75"	<input type="checkbox"/> 2"	<input type="checkbox"/> 2.25"	<input type="checkbox"/> 2.5"	<input type="checkbox"/> 2.75"
<input type="checkbox"/> 3"	<input type="checkbox"/> 3.25"	<input type="checkbox"/> 3.5"	<input type="checkbox"/> 3.75"	<input type="checkbox"/> 4"
<input type="checkbox"/> 4.25"	<input type="checkbox"/> 4.5"	<input type="checkbox"/> 4.75"	<input type="checkbox"/> 5"	

Rear Wheel Spacing

1" minimum with 0° camber. 1.5" minimum with T-Arms. The following apply if One Arm Drive is selected: 1.75" minimum with T-Arms. 1.25" minimum with select Rear Seat Heights. See Reference K on page 7.

- 0.75" 1" 1.25" 1.5" 1.75" _____ N/C

Rear Wheel Camber

The following apply if One Arm Drive is selected: 6° and 8° not available. 4° not available with T-Arms.

- 0° 2° 4° 6° 8° _____ N/C

Wheel Locks

Wheel Lock	Wheel Lock Options
<input type="checkbox"/> Push to Lock N/C	<input type="checkbox"/> Extension Handles \$70 <i>Available only with Push to Lock or Pull to Lock Wheel Locks</i>
<input type="checkbox"/> Push to Lock Flush Mount N/C	
<input type="checkbox"/> Pull to Lock N/C	<input type="checkbox"/> Grade Aids \$187 <i>Available only with Push to Lock Wheel Locks and Pneumatic or Pneumatic with Airless Insert tires</i>
<input type="checkbox"/> Under Seat Scissor Lock N/C	
<input type="checkbox"/> Low Profile Scissor Lock \$50	
<i>Not available with Low Poly, Full Poly or Sentinel Solid tires</i>	
<input type="checkbox"/> Omit N/C	

Armrests

Armrests	
<input type="checkbox"/> Height Adjustable T-Arm Desk (8.5" - 13.5") (E0973)	\$285
<input type="checkbox"/> Height Adjustable T-Arm Full (8.5" - 13.5") (E0973)	\$285
<input type="checkbox"/> Height Adjustable T-Arm Low Desk (6.5" - 10.5") (E0973)	\$285
<i>If requested configuration is unavailable, standard height T-Arm will be used. 14" minimum seat depth with Offset Frame.</i>	
<input type="checkbox"/> Height Adjustable T-Arm Low Full (6.5" - 10.5") (E0973)	\$285
<i>If requested configuration is unavailable, standard height T-Arm will be used. 14" minimum seat depth with Offset Frame.</i>	
<input type="checkbox"/> Swing Away (8.5" - 12.5") (E0973)	\$100
<input type="checkbox"/> Omit	N/C

Side Guards

Direct Mount Side Guards	Clamp-On Mount Side Guards
<i>Not available with T-Arms or Swing Away with Side Guard Armrests</i>	
<input type="checkbox"/> Composite Side Guards - Direct Mount Receiver \$75	<input type="checkbox"/> Composite Side Guards - Clamp-On Receiver \$105
<input type="checkbox"/> Aluminum Straight - Direct Mount Receiver - Black Matte \$355	<input type="checkbox"/> Aluminum Straight - Clamp On Receiver - Black Matte \$385
<input type="checkbox"/> Aluminum Straight - Direct Mount Receiver - Match Frame Color \$405	<input type="checkbox"/> Aluminum Straight - Clamp-On Receiver - Match Frame Color \$435
<i>Not available with Hydrographics</i>	
<input type="checkbox"/> Aluminum Adjustable Fender w/Foam Pad - Direct Mount Receiver - Black Matte \$355	<input type="checkbox"/> Aluminum Adjustable Fender w/Foam Pad - Clamp-On Receiver - Black Matte \$385
<i>Not available with Adjustable Depth greater than 1/2"</i>	
<input type="checkbox"/> Aluminum Adjustable Fender w/Foam Pad - Direct Mount Receiver - Match Frame Color \$405	<input type="checkbox"/> Aluminum Adjustable Fender w/Foam Pad - Clamp-On Receiver - Match Frame Color \$435
<i>Not available with Hydrographics</i>	
<input type="checkbox"/> Carbon Fiber Adjustable Fender - Direct Mount Receiver \$595	<input type="checkbox"/> Carbon Fiber Adjustable Fender - Clamp-On Receiver \$625
<i>Not available with Adjustable Depth greater than 1/2"</i>	

Accessories

Anti-Tips		Calf Strap	
<input type="checkbox"/> Rear Anti-Tips	\$140	<input type="checkbox"/> Velcro Adjustable	N/C
<input type="checkbox"/> User Activated - Pair	\$460	<input type="checkbox"/> Padded Velcro Adjustable	\$85
<input type="checkbox"/> User Activated - Left	\$230	<input type="checkbox"/> Bodypoint Padded AeroMesh	\$123
<input type="checkbox"/> User Activated - Right	\$230		
<input type="checkbox"/> Omit	N/C		

Pelvic Positioning Belt		Other Accessories	
<input type="checkbox"/> 1 1/2" Auto Buckle Pelvic Positioning Belt	\$80	<input type="checkbox"/> Tool Kit	\$60
<input type="checkbox"/> 1 1/2" Padded Auto Buckle Pelvic Positioning Belt	\$170	<input type="checkbox"/> Removable Underseat Pouch	\$75
<input type="checkbox"/> Small Bodypoint Evoflex (16-24")	\$219	<input type="checkbox"/> Ki Mobility Backpack	\$90
<input type="checkbox"/> Medium Bodypoint Evoflex (19-29")	\$219	<input type="checkbox"/> Luggage Carrier	\$120
<input type="checkbox"/> Large Bodypoint Evoflex (25-37")	\$219	<input type="checkbox"/> Black Neoprene Impact Guards	\$85
		<input type="checkbox"/> Under Chair Carrier and Removable Bag	\$85
		<i>Not available with Seat Widths less than 14" or scissor locks</i>	
		<input type="checkbox"/> Cane and Crutch Holder	\$110

Belt Mounting Kit	
<input type="checkbox"/> Ki Mobility Belt Mounting Clamp	\$50
<input type="checkbox"/> Bodypoint Belt Mounting Bracket Kit	\$126

Color

Options	Price	Colors																			
		Gloss												Matte							
		Black	Blue Skies	Bubblegum Pink	Candy Blue	Candy Purple	Candy Red	Copper	Granny Smith	MRGallic Orange	Silver	Teal	Yellow	Charcoal Gray	Emerald Green	Iridescent Burgundy	Iridescent Navy	Military Green	Retro Red	Royal Blue	Shadow Black
Frame	N/C	<input type="checkbox"/>	<input type="checkbox"/>	<input type="checkbox"/>	<input type="checkbox"/>	<input type="checkbox"/>	<input type="checkbox"/>	<input type="checkbox"/>	<input type="checkbox"/>	<input type="checkbox"/>	<input type="checkbox"/>	<input type="checkbox"/>	<input type="checkbox"/>	<input type="checkbox"/>	<input type="checkbox"/>	<input type="checkbox"/>	<input type="checkbox"/>	<input type="checkbox"/>	<input type="checkbox"/>	<input type="checkbox"/>	<input type="checkbox"/>
Backrest Release Bar	\$50	<input type="checkbox"/>	<input type="checkbox"/>	<input type="checkbox"/>	<input type="checkbox"/>	<input type="checkbox"/>	<input type="checkbox"/>	<input type="checkbox"/>	<input type="checkbox"/>	<input type="checkbox"/>	<input type="checkbox"/>	<input type="checkbox"/>	<input type="checkbox"/>	<input type="checkbox"/>	<input type="checkbox"/>	<input type="checkbox"/>	<input type="checkbox"/>	<input type="checkbox"/>	<input type="checkbox"/>	<input type="checkbox"/>	<input type="checkbox"/>
	N/C	<input type="checkbox"/> Black Anodized																			
MAXX Mag Color		<input type="checkbox"/>	<input type="checkbox"/>	<input type="checkbox"/>	<input type="checkbox"/>	<input type="checkbox"/>	<input type="checkbox"/>	<input type="checkbox"/>	<input type="checkbox"/>	<input type="checkbox"/>	<input type="checkbox"/>	<input type="checkbox"/>	<input type="checkbox"/>	<input type="checkbox"/>	<input type="checkbox"/>	<input type="checkbox"/>	<input type="checkbox"/>	<input type="checkbox"/>	<input type="checkbox"/>	<input type="checkbox"/>	<input type="checkbox"/>

Colored Anodizing Package

Select desired color. If no selection is made, black will be used.

	Color	Black ¹	Blue	Bright Green	Gold	Orange	Pewter	Pink	Purple	Red
Retail		N/C	\$35	\$35	\$35	\$35	\$35	\$35	\$35	\$35
Option	Back Plates ²	<input type="checkbox"/>	<input type="checkbox"/>	<input type="checkbox"/>	<input type="checkbox"/>	<input type="checkbox"/>	<input type="checkbox"/>	<input type="checkbox"/>	<input type="checkbox"/>	<input type="checkbox"/>
	Camber Tube ³	<input type="checkbox"/>	<input type="checkbox"/>	<input type="checkbox"/>	<input type="checkbox"/>	<input type="checkbox"/>	<input type="checkbox"/>	<input type="checkbox"/>	<input type="checkbox"/>	<input type="checkbox"/>
	Towers	<input type="checkbox"/>	<input type="checkbox"/>	<input type="checkbox"/>	<input type="checkbox"/>	<input type="checkbox"/>	<input type="checkbox"/>	<input type="checkbox"/>	<input type="checkbox"/>	<input type="checkbox"/>
	Side Guard Receiver	<input type="checkbox"/>	<input type="checkbox"/>	<input type="checkbox"/>	<input type="checkbox"/>	<input type="checkbox"/>	<input type="checkbox"/>	<input type="checkbox"/>	<input type="checkbox"/>	<input type="checkbox"/>
	Caster Fork ³	<input type="checkbox"/>	<input type="checkbox"/>	<input type="checkbox"/>	<input type="checkbox"/>	<input type="checkbox"/>	<input type="checkbox"/>	<input type="checkbox"/>	<input type="checkbox"/>	<input type="checkbox"/>

¹ Black is no charge
² Not available with Transit Option
³ Available only with Standard or Single Sided

References

A. Seat Width See Diagram 1

Measured from outside of frame tube on one side to outside of frame tube on other side.

B. Seat Depth See Diagram 3

Measured from front of back posts to front edge of seat sling. Seat sling starts at beginning of bend at front of frame.

C. Sling Position See Diagram 2

In Performance Position (0°), sling is at front of frame to keep chair shorter and more maneuverable. The 1" or 2" seat sling position extends the frame in front of the sling by that amount. Adding more frame can improve stability and provide support to aid in transfers.

D. Front Frame Bend See Diagram 3

Angle between front seat tube and ground.

E. Footrest Taper See Diagram 1

Indicates bend of front frame creating footrest. Taper is measured from outside of seat frame to outside of front tube.

F. Front Seat Height See Diagram 1

Measured from floor to top of seat tube at front of seat sling.

G. Footrest Width See Diagram 1

Measured from inside of front tube to inside of front tube on other side. Footrest width is listed below for each seat width and taper.

Seat Width	Straight	1" Y Taper	2" Y Taper	3.5° V Taper	7° V Taper
Outside Measurement	2" Narrower than Seat Width	4" Narrower than Seat Width	6" Narrower than Seat Width	4" Narrower than Seat Width	6" Narrower than Seat Width
12"	9.5"	7.5"		7.5"	
13"	10.5"	8.5"		8.5"	
14"	11.5"	9.5"		9.5"	
15"	12.5"	10.5"		10.5"	
16"	13.5"	11.5"	9.5"	11.5"	9.5"
17"	14.5"	12.5"	10.5"	12.5"	10.5"
18"	15.5"	13.5"	11.5"	13.5"	11.5"
19"	16.5"	14.5"	12.5"	14.5"	12.5"
20"	17.5"	15.5"	13.5"	15.5"	13.5"

H. Seat to Footrest Length See Diagram 3

Measured from front edge of seat sling to top rear of footrest. Footrest length of at least 2.5" shorter than front seat height recommended.

I. Rear Seat Height See Diagram 3

Measured from floor to top of seat tube at front of back post. Rear seat height is custom to needs.

J. Center of Gravity Preset See Diagram 3

Measured from front of back post to center of rear axle. 0" indicates axle will be directly under back post.

K. Rear Wheel Spacing See Diagram 1

Measured from outside of seat back to inside of rear tire. Adjustable out .5" from setting.

L. Caster Position See Diagram 4

The Optimized Position keeps the casters tighter to the frame for enhanced maneuverability. Expanded Position pushes the casters out .75" past the Optimized Position for increased stability.

Diagram 1

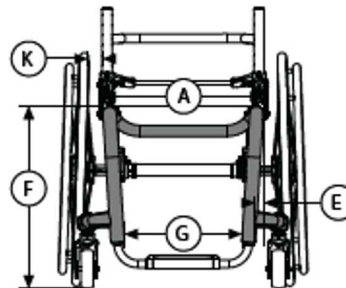


Diagram 2

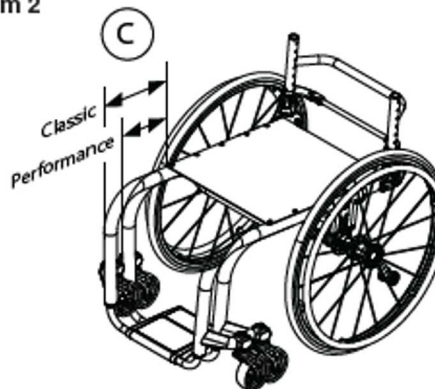


Diagram 3

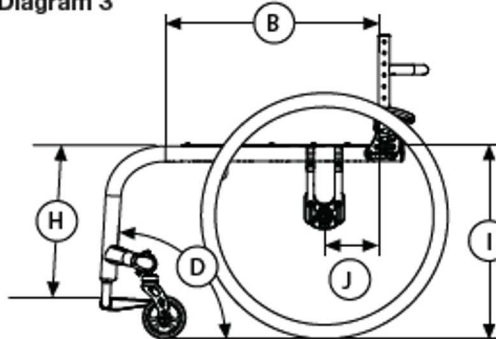


Diagram 4

