

DEALER INFORMATION		RTS INFORMATION	
Dealer:	Account #:	RTS:	Phone:
PO:	Ordered By:	Email:	
Email:		SHIP TO INFORMATION	
Mark For:		Name:	Ship Via:
TiLite Sales Rep:		Address:	
<b>TiLite Information:</b>	Promo Code:	City:	Province: Postal Code:
Ship Date:	Order #:	Phone:	Fax:

**Please Email or Fax to the Permobil Manual Customer Service Team at [tilitesales@permobil.com](mailto:tilitesales@permobil.com) or 866.586.2413 / 509.586.2413**

**FRAME STYLE**

ATFS1  **Aero T Aluminum Frame** (Full Adjustability. 265 Pound Weight Limit. For Rear Seat Width **A** and Seat Depth **B** of 15" or greater, use K0005. For Rear Seat Width **A** and Seat Depth **B** of less than 15", use E1235.) ..... **\$3,660**

THDR1  **Heavy Duty Frame** (Not Available with TR Titanium Frame. 350 Pound Weight Limit. No charge when 20" Rear Seat Width **A** and 20" Seat Depth **B** are selected. Includes Tension Adjustable by Straps Back Upholstery. Requires Folding Aluminum Adjustable Height Backrest, Billet Aluminum Front Wheels, Shadow or Spinergy SPOX Rear Wheels. LX Rear Wheels only available with 0 or 2 degree camber. Not available with SuperLite Edition, Slipstream Fork, Velcro Adjustable Upholstery, Open Loop Footrest, V-Front Taper or Glide™ Forks. .... **\$445**

TQST1  **Q'Straint Adaptable Frame** (350 Pound Weight Limit. No charge when 20" Rear Seat Width **A** and 20" Seat Depth **B** are selected. Includes Tension Adjustable by Straps Back Upholstery. Requires Folding Aluminum Adjustable Height Backrest, Billet Aluminum Front Wheels, Shadow or Spinergy SPOX Rear Wheels. LX Rear Wheels. only available with 0 or 2 degree camber. Not available with SuperLite Edition, Slipstream Fork, Velcro Adjustable Upholstery, Open Loop Footrest, V-Front Taper or Glide™ Forks.) ..... **\$445**

TRFR1  **Reinforced Frame** (No charge when 20" Rear Seat Width **A** and 20" **B** Seat Depth are selected.) ..... **\$400**

**FRAME FINISHES**

- High Gloss Paint  TFF8 Super Wet Black  
 Metallic Paint  TFF14 Ocean Blue Metallic

**COLOR ANODIZE PACKAGE**

(Color Anodize Package includes: Aluminum Camber Tube (Color Anodize not available with Power Adaptable Camber Tube), Camber Mount, Footrest Clamp, Caster Mount, Footrest Clamp, Caster Fork, Caster Cap and Agility Carbon Back clamps)  
 TANO1 Black ..... STD

**TiFit: TAILORED INDIVIDUALIZED FRAME**

**REAR SEAT WIDTH A** Measure from outside of seat tube at back post to the outside of the opposite seat tube at back post.

- TSW1  12"  13"  14"  15"  16"  17"  18"  19" ..... STD  
 TSW2  20" ..... **\$495**

**FRONT SEAT WIDTH (SEAT TAPER) L** Measure from inside of front frame tube to inside of opposite front frame tube. (Required with V-Front End U. Not Available with Standard Front End O.)

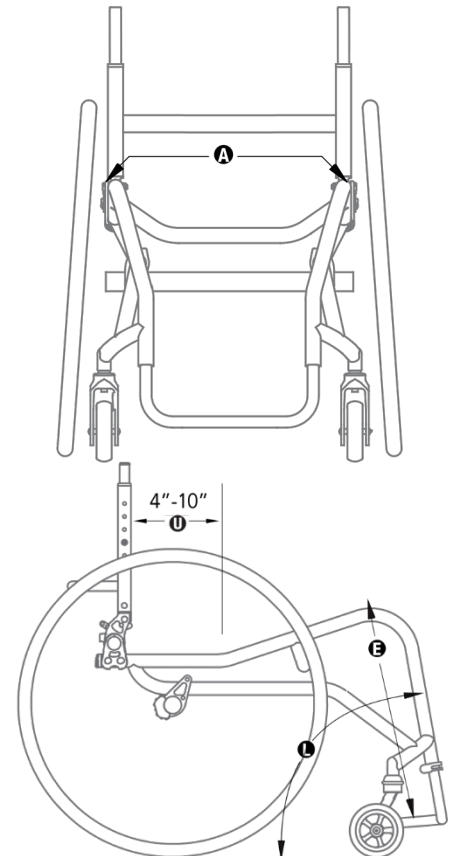
- TFSW1  No Taper ..... STD  
 TFSW2  1" (2.5cm) Taper (3" Narrower than Rear Seat Width **A**. Includes Tension Adjustable by Straps Seat Upholstery.) ..... **\$280**  
 TFSW4  2" (5.1cm) Taper (4" Narrower than Rear Seat Width **A**. Includes Tension Adjustable by Straps Seat Upholstery.) ..... **\$280**  
 TFSW6  3" (7.6cm) Taper (5" Narrower than Rear Seat Width **A**. Includes Tension Adjustable by Straps Seat Upholstery. Not available with 12" Seat Width.) ..... **\$280**

**SEAT DEPTH B** Measure from front of back post to the front edge of seat sling. Frame bend will start .5" in front of seat sling unless Custom Frame Depth is specified, or the combination of specifications affect the rolling dynamics of the chair.

- TSD1  12"  13"  14"  15"  16"  17"  18"  19" ..... STD  
 TSD2  20" ..... **\$540**  
 TSD3  Custom Frame Depth: \_\_\_\_\_" Frame Depth Longer or Shorter Than Seat Depth (Measure from front of seat sling to beginning of frame bend. Ranges from 0.25" to 3" and can be given as specific as 1/4" increments. A negative Custom Frame Depth or specified above 3" may be available through our Creative Mobility Division. A Custom Frame Depth of 20" will have an additional charge) ..... **NCO**

**ERGONOMIC SEAT O** Measure from front of back post to beginning of upward bend of seat tube.

- TERG2  **AeroT Ergonomic Seat** (Center of Gravity adjustment may be affected by this option. Not available with V-Front or Seat Taper, Seat Back that Locks When Folded, Desk Arms, Depth Adjustable Backrests, Fold Down Rigid Sideguards, Fendered Adjustable Sideguards, Solid Seat, Tension Adjustable Bolt On Seat Upholstery, or the Curve cushion.)  
 6" (15.2cm) (Minimum Seat Depth **B** 12")  7" (17.8cm) (Minimum Seat Depth **B** 12")  
 8" (20.3cm) (Minimum Seat Depth **B** 13") ..... **\$520**



## TiFit: TAILORED INDIVIDUALIZED FRAME

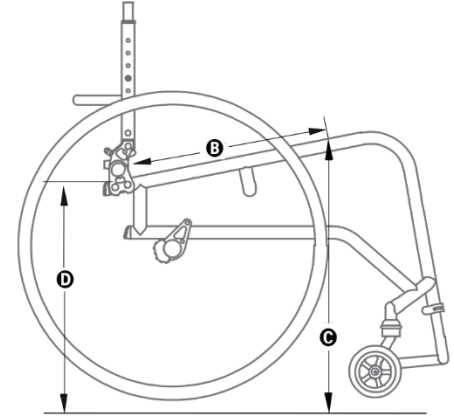
**FRONT SEAT HEIGHT** ● Measure from floor to top of seat tube at front edge of seat sling.

- TFSH1  15" (38.1cm)  16" (40.6cm)  16.5" (41.9cm)  17" (43.2cm)  17.5" (44.5cm)  
 18" (45.7cm)  18.5" (47cm)  19" (48.3cm)  19.5" (49.5cm)  20" (50.8cm)  
 20.5" (52.1cm)  21" (53.3cm) ..... **STD**

**REAR SEAT HEIGHT** ● Measure from floor to top of seat tube at back post.

Rear Wheel Size	Rear Seat Height
20"	12.5"-21" (31.8-53.3 cm)
22"	13.5"-21" (34.3-53.3 cm)
24"	14.5"-21" (15" on AeroT/TRA) (36.8-53.3 cm)
25"	15.0"-21" (38.1-53.3 cm)
26"	15.5"-21" (38.1-53.3 cm)

- TRSH1  12.5" (31.8cm)  13" (33cm)  13.5" (34.3cm)  14" (35.6cm)  14.5" (36.8cm)  
 15" (38.1cm)  15.5" (39.4cm)  16" (40.6cm)  16.5" (41.9cm)  17" (43.2cm)  
 17.5" (44.5cm)  18" (45.7cm)  18.5" (47cm)  19" (48.3cm)  19.5" (49.5cm)  
 20" (50.8cm) ..... **STD**



**FRONT ANGLE** ● Measure from frame front to floor.

- TFA1  70°  75°  80°  85° (Not available with 6" Front Wheels.)  90° (Not available with 5" or 6" Front Wheels.) ..... **STD**

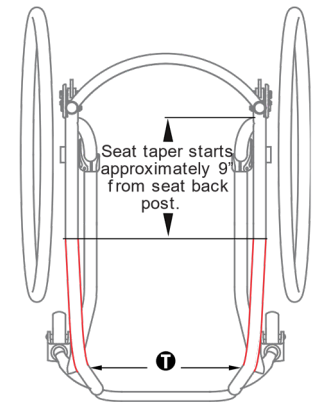
**SEAT TO FOOTREST** ● /FOOTRESTS Measure from front edge of seat sling to top rear of footrest.

**Standard Footrests** Measurement must be at least 2" shorter than Front Seat Height ●.

- 13.5" (34.3cm)  14" (35.6cm)  14.5" (36.8cm)  15" (38.1cm)  15.5" (39.4cm)  16" (40.6cm)  
 16.5" (41.9cm)  17" (43.2cm)  17.5" (44.5cm)  18" (45.7cm)  18.5" (47cm)  19" (48.3cm)

*(Due to current supplier issues, titanium footrest options will use aluminum tubing instead of titanium and will be powder coated Black Lava. During this time, these options will be available in aluminum at no charge to our customers. If a titanium footrest is desired at a later point, the option will be offered at on-chair pricing when available.)*

- TFTR3  Angle Adjustable Footrest ..... **STD**  
 TFTR1  Titanium Footrest w/Flat ABS Cover ..... **\$200**  
 TFTR2  Titanium Open Loop Footrest ..... **\$255**  
 TFTR12  Flip-Back Footrest (Not available with ABS Cover with 2" Sides or Front Roller.)... **\$235**  
**High Mount Footrest**  
 7"-9"  9"-11"  11"-13" Set at \_\_\_\_\_" (Use 1/2" increments)  
 TFTR4  Angle Adjustable High Mount Footrest ..... **\$145**

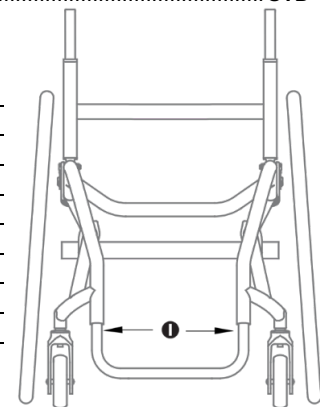


**FOOTREST WIDTH** ● or ▼ Select either a Standard Front End ● if no Seat Taper ● is selected or a V-Front End ▼ if a Seat Taper ● is selected.

**STANDARD FRONT END** ● Find your Rear Seat Width ● in the Chart below and select one of the options to the right. Measure from inside of front frame tube to inside of opposite front frame tube.

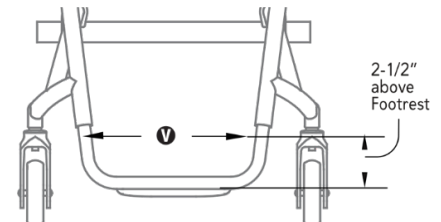
- TFE1  **NO V-Front Taper** ..... **STD**

REAR SEAT WIDTH ● (Outside Measurement)	FOOTREST WIDTH ●		
	No Taper (2" Narrower than Rear Seat Width)	2" Taper (4" Narrower than Rear Seat Width)	4" Taper (6" Narrower than Rear Seat Width)
12"	<input type="checkbox"/> 10"	<input type="checkbox"/> 8"	
13"	<input type="checkbox"/> 11"	<input type="checkbox"/> 9"	
14"	<input type="checkbox"/> 12"	<input type="checkbox"/> 10"	<input type="checkbox"/> 8"
15"	<input type="checkbox"/> 13"	<input type="checkbox"/> 11"	<input type="checkbox"/> 9"
16"	<input type="checkbox"/> 14"	<input type="checkbox"/> 12"	<input type="checkbox"/> 10"
17"	<input type="checkbox"/> 15"	<input type="checkbox"/> 13"	<input type="checkbox"/> 11"
18"	<input type="checkbox"/> 16"	<input type="checkbox"/> 14"	<input type="checkbox"/> 12"
19"	<input type="checkbox"/> 17"	<input type="checkbox"/> 15"	<input type="checkbox"/> 13"
20"	<input type="checkbox"/> 18"	<input type="checkbox"/> 16"	<input type="checkbox"/> 14"



**V-FRONT END** ▼ Measure from inside of front frame tube to inside of opposite front frame tube 2-1/2" above footrest. (Titanium Footrests have 1" of adjustment up and down. Not available with Ergonomic Seat frames.)

- TFE2  **V-Front Taper** ..... **NCO**  
 9" (22.9cm)  10" (25.4cm)  11" (27.9cm)  
 12" (30.5cm)  13" (33cm)  14" (35.6cm)  
 15" (38.1cm)



## tiFit: TAILORED INDIVIDUALIZED FRAME

**SEAT BACK TYPE/PUSH HANDLES/SEAT BACK HEIGHT** Ⓢ Measure from top of back post to top of seat tube at rear of frame.

- TSB1  Folding Aluminum Adjustable Height w/Precision Lock Back ..... **STD**
- TSB2  Folding Titanium Adjustable Height w/Precision Lock Back and Rounded Rigidizer Bar (Titanium back will match Frame Finish. Not available with Bolt-On Push Handles.) ..... **\$295**
- TSB15  Non-Folding, Fixed Height Titanium with New Rounded Rigidizer Bar (Only available with TR. Titanium back will match Frame Finish. Not available with Push Handles.) ..... **\$325**

**TISHAFT™ BACK RELEASE BARS** (Not available with Non-Folding, Fixed Height Titanium Back.)

- TSB3  Aluminum ..... **STD**
- TSB5  Carbon Fiber ..... **\$85**

### PUSH HANDLES

- TSB6  Integrated Push Handles ..... **NCO**
- TSB7  Integrated Fold-Down Push Handles (Requires Tension Adjustable by Straps Back Upholstery.) ..... **\$115**
- TSB8  Bolt-On Push Handles (Includes 4" Deep Backrest Rigidizer Bar. Not available with Ti Back.) ..... **\$200**
- TSB9  Bolt-On Height-Adjustable Push Handles (Includes 4" Deep Backrest Rigidizer Bar. Not available with Ti Back.) ..... **\$410**

### FOLDING SEAT BACK HEIGHT Ⓢ (TSB1 and TSB2)

Push Handles (Selected Above)	Short	Medium	Tall	Set at: (Use 1/2" increments)
None/ Bolt-On	<input type="checkbox"/> 9.5"-12.5"	<input type="checkbox"/> 13"-17.5"	<input type="checkbox"/> 17"-21.5"	Set at: _____
Integrated	<input type="checkbox"/> 11.5"-13.5"	<input type="checkbox"/> 14.5"-17.5"	<input type="checkbox"/> 18.5"-21.5"	Set at: _____
Integrated Fold-Down	<input type="checkbox"/> 14"-16.5"	<input type="checkbox"/> 15"-19.5"	<input type="checkbox"/> 19.5"-22"	Set at: _____

**NON-FOLDING, FIXED-HEIGHT Ⓢ TITANIUM SEAT BACK** with New Rounded Rigidizer Bar (TSB15) (Titanium back will match Frame Finish. Required for fixed Side Guards. Not available with Swing Away Tubular or Swing Away - Flip Back Tubular Armrests and Integrated Push Handles, Integrated Fold-Down Push Handles or Bolt-On Height Adjustable Push Handles.)

- 5" (12.7cm)  5.5" (14cm)  6" (15.2cm)  6.5" (16.5cm)  7" (17.8cm)  7.5" (19.1cm)  8" (20.3cm)
- 8.5" (21.6cm)  9" (22.9cm)  9.5" (24.1cm)  10" (25.4cm)  10.5" (26.7cm)  11" (27.9cm)  11.5" (29.2cm)
- 12" (30.5cm)  12.5" (31.8cm)  13" (33cm)  13.5" (34.3cm)  14" (35.6cm)  14.5" (36.8cm)  15" (38.1cm)
- 15.5" (39.4cm)  16" (40.6cm)  16.5" (41.9cm)  17" (43.2cm)  17.5" (44.5cm)  18" (45.7cm)  18.5" (47cm)
- 19" (48.3cm)  19.5" (49.5cm)  20" (50.8cm)

### AVAILABLE ON ALL BACKS

- TSB11  Backrest that Locks when Folded (Not available with Ergonomic Seat.) ..... **STD**
- TSB12  4" Deep Backrest Rigidizer Bar (Currently available with Aluminum backrest option only. Not available with a Non-Folding, Fixed Height Titanium Seat Back Type. 4" Deep Rigidizer Bar is NOT a rounded style rigidizer bar.) ..... **NCO**

**SEAT BACK ANGLE Ⓢ** Measure angle from front of back post to floor.

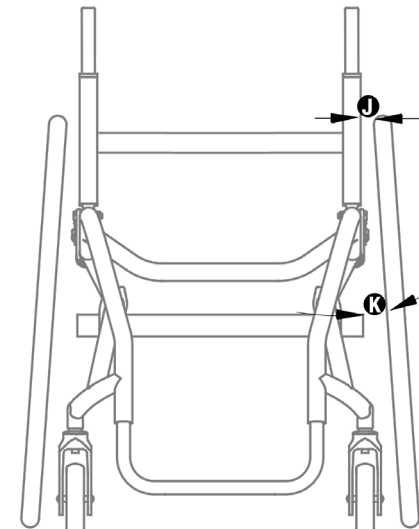
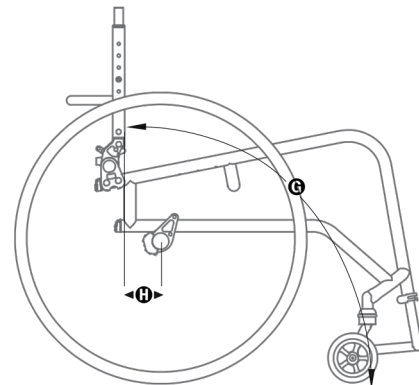
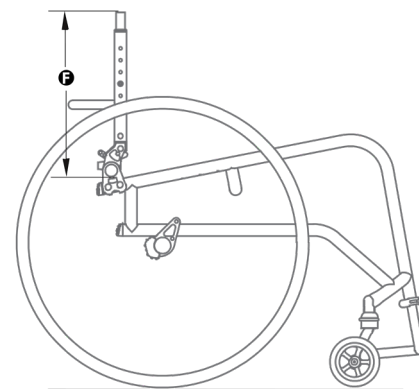
- TSBA1 **Folding Back**  
 80°  83°  86°  89°  92°  95°  98°  101° ..... **STD**
- TSBA1 **Non-Folding Back**  
 80°  81°  82°  83°  84°  85°  86°  87°  88°  89°  90°  
 91°  92°  93°  94°  95°  96°  97°  98°  99°  100°  101° ..... **NCO**

**CENTER OF GRAVITY Ⓢ** Measure from front of back post at the seat tube to the center of the rear axle. If no center of gravity is selected, chair will ship with the center of gravity in the rearward-most position.

- TCOG1  1" (2.5cm)  1.25" (3.2cm)  1.5" (3.8cm)  1.75" (4.4cm)  2" (5.1cm)  
 2.25" (5.7cm)  2.5" (6.4cm)  2.75" (7cm)  3" (7.6cm)  3.25" (8.3cm)  
 3.5" (8.9cm)  3.75" (9.5cm)  4" (10.2cm)  4.25" (10.8cm)  4.5" (11.4cm)  
 4.75" (12.1cm)  5" (12.7cm) ..... **STD**


**REAR WHEEL SPACING Ⓢ /PLUGS** Measure from outside of seat back post to inside of rear tire. 0.5" Rear Wheel Spacing on TR not available with 0° or 2° Camber. TRA 0.75" Rear Wheel Spacing not available with 0° or 2° Camber  
 Ⓢ. Ergonomic Seat selection may limit available center of gravity.

- TRWS1  .75"  1"  1.25" ..... **STD**
- TCBR12  Adjustable Rear Wheel Spacing Camber Plugs (Not available with Power Adaptable Frame.) ..... **STD**
- TCBR9  Additional Spacers to Increase Rear Wheel Spacing ..... **NCO**
- TCBR11  Zero Play Aluminum Camber Plugs (Not available with Power Adaptable Frame or more than 6° of Camber Ⓢ.) ..... **NCO**




## tiFit: TAILORED INDIVIDUALIZED FRAME

### CAMBER /CAMBER TUBES

- TCBR1  0°  2°  4°  6° (8° of Camber  may be available through our Creative Mobility Division.) ..... **STD**  
 TCBR15  Aluminum Camber Tube ..... **STD**  
 TCBR3  Titanium Camber Tube (Not available with Power Adaptable Frame.) ..... **\$225**

## CUSTOM CONFIGURATION OPTIONS



### FRONT WHEELS

- TFW24  3"x1.5" LiteSpeed Billet Aluminum Wheel w/Soft Roll Tire  Silver Hub **OR**  Black Hub ..... **\$180**  
 TFW14  4"x.75" Plastic Wheel w/Poly Tire (Not available with Slipstream Fork, Glide™ Single-Sided Fork or Power Adaptable Frame.) **NCO**  
 TFW3  4"x.75" Light-Up Micro-Caster (Not available with Slipstream Fork, Glide™ Single-Sided Fork or Power Adaptable Frame.) ..... **\$80**  
 TFW25  4"x.75" LiteSpeed Billet Aluminum Wheel w/Poly Tire  Silver Hub **OR**  Black Hub ..... **\$150**  
 TFW26  4"x1.5" LiteSpeed Plastic Wheel w/Soft Roll Tire (Not available with Power Assist, Power Add-on System or Heavy Duty Frame.) ..... **\$95**  
 TFW27  4"x1.5" LiteSpeed Billet Aluminum Wheel w/Soft Roll Tire  Silver Hub **OR**  Black Hub ..... **\$190**  
 TFW6  5"x1" Plastic Wheel w/Poly Tire (Not available with 90° Front Angle , Slipstream Fork, Glide™ Single-Sided Fork or Power Adaptable Frame.) ..... **NCO**  
 TFW28  5"x1.5" LiteSpeed Plastic Wheel w/Soft Roll Tire (Not available with 90° Front Angle  or Power Adaptable Frame.) ..... **\$95**  
 TFW30  5"x1.5" LiteSpeed Billet Aluminum Wheel w/Soft Roll Tire  Silver Hub **OR**  Black Hub (Not available with 90° Front Angle ) ..... **\$250**  
 TFW9  6"x1" Plastic Wheel w/Poly Tire (Not available with 85° or 90° Front Angle , Slipstream Fork, Glide™ Single-Sided Fork or Power Adaptable Frame.) ..... **NCO**  
 TFW32  6"x1.5" LiteSpeed Plastic Wheel w/Soft Roll Tire (Not available with 85° or 90° Front Angle , Slipstream Fork, Glide™ Single-Sided Fork or Power Adaptable Frame.) ..... **\$100**  
 TFW33  6"x1.5" LiteSpeed Billet Aluminum Wheel w/Soft Roll Tire  Silver Hub **OR**  Black Hub (Not available with 85° or 90° Front Angle , Slipstream Fork, Glide™ Single-Sided Fork.) ..... **\$250**

### PRECISION LOCK FRONT FORKS

- TFK1  TiLite Standard Fork ..... **STD**  
 TFK2  TiLite Slipstream Single-Sided Fork (Not available with Power Adaptable Frame.) ..... **\$185**  
 TGL1  Out-Front Glide™ Suspension Fork (Black anodize only.) ..... **\$545**  
 Rider's Weight:  125 lbs.  125-180 lbs.  180-265 lbs.  
 TGL2  Out-Front Glide™ Single-Sided Suspension Fork (Black anodize only. Not available with 6" Front Wheels.) ..... **\$680**  
 Rider's Weight:  125 lbs.  125-180 lbs.  180-265 lbs.  
 TTFS1  Titanium Fork Stem ..... **\$60**

### STANDARD REAR WHEELS (See Rear Seat Height Ranges Chart for Rear Seat Height limitations.)

- TRW14 TiLite SHADOW™ ..... **STD**  
 20"(451)  
 22"(501)  
 24"(540)  
 25"(559) (Requires 15" minimum Seat Depth )  
 26"(590) (Requires 15" minimum Seat Depth )

### PERFORMANCE REAR WHEELS (See Rear Seat Height Ranges Chart for Rear Seat Height limitations.)

- TRW7 Spinergy SPOX  Black  Red  Yellow  Blue  White ..... **\$900**  
 22"(501) - Std. Hub  
 24"(540) - Std. Hub  
 25"(559) - Std. Hub (Requires 15" minimum Seat Depth )  
 26"(590) - Sport Hub (Requires 15" minimum Seat Depth . Not available with Quad Release Axles.)  
 TRW8 Spinergy LX  Black  Red  Yellow  Blue  White  Go Green  Bright Orange  Flamingo Pink ..... **\$1,055**  
 22"(501) - Std. Hub  
 24"(540) - Std. Hub  
 25"(559) - Std. Hub (Requires 15" minimum Seat Depth )  
 26"(590) - Sport Hub (Requires 15" minimum Seat Depth . Not available with Quad Release Axles.)  
 TRW16 Spinergy Carbon Blade (Not available with Heavy Duty Frame, Natural-Fit or Natural-Fit LT with Standard Grip or Super Grip.) ..... **\$1,540**  
 24"(540)  
 25"(559) (Requires 15" minimum Seat Depth )  
 TRW17 X-Core Mag (Not available with Heavy Duty Frame, Short Tabs, Quad Release Axles, Spoke Guards or Omit Handrims Option. Requires Aluminum Sliver Anodized Handrims.) ..... **\$110**  
 20"(451)  
 22"(501)  
 24"(540)

### AXLES

- TAXL1  Stainless Quick Release ..... **STD**  
 TAXL2  Titanium Quick Release ..... **\$290**  
 TAXL3  Quad Release (Not available with Mag or 26"(590) Spinergy Spox or LX Rear Wheels.) ..... **\$170**

## CUSTOM CONFIGURATION OPTIONS

### PNEUMATIC REAR TIRES

TRTR1	<input type="checkbox"/> Treaded (Not available with 25"(559) or 20" (451) Rear Wheels.)	STD
TRTR2	<input type="checkbox"/> Airless Inserts (Not available with Spinergy Carbon Blade Rear Wheels.)	\$90
TRTR3	<input type="checkbox"/> 25"(559) Primo Treaded (Standard with 25"(559) Rear Wheels.)	STD
TRTR4	<input type="checkbox"/> Primo Slick	NCO
TRTR30	<input type="checkbox"/> 24"(540), 25"(559) and 26"(590) Primo Sentinel	\$160
TRTR8	<input type="checkbox"/> 24"(540), 25"(559) and 26"(590) Schwalbe® Marathon Plus Evolution	\$155
TRTR9	<input type="checkbox"/> 24"(540) and 25"(559) Schwalbe® Slick	\$150
TRTR24	<input type="checkbox"/> 24"(540) Kenda Kobra Knobby	\$95

### SOLID REAR TIRES (Not available with Spinergy Carbon Blade Rear Wheels.)

TRTR22	<input type="checkbox"/> 20"(451), 22"(501), 24"(540) and 25"(559) Primo Express	\$110
TRTR23	<input type="checkbox"/> 24"(540) and 25"(559) Primo Active	\$135

### HANDRIMS

#### Handrims by OUT-FRONT®

TRIM1	<input type="checkbox"/> Aluminum – Silver Anodized	STD
TRIM21	<input type="checkbox"/> Aluminum – Black Anodized (Not available with 20"(451) Rear Wheels.)	\$60
TRIM12	<input type="checkbox"/> Titanium – Satin Finish (Not available with 20"(451) or 22"(501) Rear Wheels, or 24"(540) Knobby tires.)	\$490
TRIM10	<input type="checkbox"/> The Surge (All-In-One Oval with Gription™ Strip, Larger Profile) (Not available with 20"(451) Rear Wheels.)	\$435
TRIM11	<input type="checkbox"/> The Surge LT (All-In-One Oval with Gription™ Strip, Smaller Profile) (Not available with 20"(451) Rear Wheels.)	\$470
TRIM20	<input type="checkbox"/> Q-Grip (Exclusive High-Friction, Anti-Slip Coating) (Not available with 20"(451) Rear Wheels.)	\$375

#### The Natural-Fit® (Original, Larger Profile) (Not available with 20"(451) Rear Wheels.)

TRIM14	<input type="checkbox"/> Standard Grip (Not available with Short Tabs or Spinergy Carbon Blade Rear Wheels.)	\$415
TRIM15	<input type="checkbox"/> Super Grip (Not available with Short Tabs or Spinergy Carbon Blade Rear Wheels.)	\$470
TRIM16	<input type="checkbox"/> Without Thumb Grip	\$380

#### The Natural-Fit® LT (Reduced Weight, Smaller Profile) (Not available with 20"(451) Rear Wheels.)

TRIM17	<input type="checkbox"/> Standard Grip (Not available with Short Tabs or Spinergy Carbon Blade Rear Wheels.)	\$500
TRIM18	<input type="checkbox"/> Super Grip (Not available with Short Tabs or Spinergy Carbon Blade Rear Wheels.)	\$535
TRIM19	<input type="checkbox"/> Without Thumb Grip	\$460

#### Additional Handrim Options

TRIM5	<input type="checkbox"/> Plastic Coated – Black	\$160
TRIM22	<input type="checkbox"/> Omit Handrims	NCO

#### Tab Length

TRIM7	<input type="checkbox"/> Long Tabs	STD
TRIM8	<input type="checkbox"/> Short Tabs (Not available with Mag Rear Wheels or The Natural-Fit® Handrims with Thumb Grip.)	\$35

### WHEEL LOCKS

#### Wheel Locks by OUT-FRONT®

TWLK7	<input type="checkbox"/> Compact Composite Push to Lock (Available with .75" to 1.5" Rear Wheel Spacing ① only.)	NCO
TWLK8	<input type="checkbox"/> Compact Composite Pull to Lock (Available with .75" to 1.5" Rear Wheel Spacing ① only.)	NCO
TWLK10	<input type="checkbox"/> Extension Handles for Compact Composite Push/Pull to Lock	\$85
TWLK9	<input type="checkbox"/> Composite Scissor Lock	\$175

#### Additional Wheel Locks

TWLK3	Uni-Lock Set At: <input type="checkbox"/> Push OR <input type="checkbox"/> Pull	\$165
TWLK4	<input type="checkbox"/> Extension Handles for Uni-Lock	\$85
TWLK15	<input type="checkbox"/> Grade Aids Push to Lock (Not available with solid rear tires)	\$230

### BACK UPHOLSTERY (Want more seating options? View the TiLite Seating Order Form on our website.)

TBUP2	<input type="checkbox"/> Velcro Adjustable (Not available with Fold-Down Push Handles.)	STD
-------	---	-----

#### Tension Adjustable by Straps (Required with Fold-Down Push Handles.)

TBUP3	<input type="checkbox"/> Padded Nylon	\$415
TBUP5	<input type="checkbox"/> AIR Breathable Upholstery (Not available with Ultrasuede Backrest Stripe.)	\$400
TUPC3	Ultrasuede Backrest Stripe <input type="checkbox"/> Black	\$105
TBUP0	<input type="checkbox"/> Omit Back Upholstery	NCO

### SEAT UPHOLSTERY

TSUP1	<input type="checkbox"/> Tension Adjustable Bolt On (Not available with Ergonomic Seat or Tapered Seat ①. Black only.)	STD
TSUP2	<input type="checkbox"/> Tension Adjustable by Straps (Standard with Ergonomic Seat and FSW (Seat Taper) ① of 1", 2" or 3". Black upholstery only.)	\$185
TSUP8	<input type="checkbox"/> Aluminum Solid Seat (Not available with 10" or 11" Rear Seat Width ② or Ergonomic Seat ③.)	\$285
TSUP0	<input type="checkbox"/> Omit Seat Upholstery	NCO

### SEAT CUSHION (Want more seating options? View the TiLite Seating Order Form on our website.)

TCSH2	<input type="checkbox"/> Comfort Curve Cushion	\$155
-------	--	-------

### SIDE GUARDS

TSDG1	<input type="checkbox"/> Cloth (Not available with Ride Designs Corbac Back Support.)	\$120
-------	---	-------

## CUSTOM CONFIGURATION OPTIONS

### SIDE GUARDS (CONTINUED)

#### Aluminum

- TSDG2  Rigid Removable  Small **OR**  Std ..... \$290
- TSDG3  Quad Removable w/Hole  Small **OR**  Std ..... \$315
- TSDG4  Fold Down Rigid  Small **OR**  Std (Not available with Ergonomic Seat.) ..... \$375
- TSDG6  Fendered Adjustable (Available with 24" and 25" Rear Wheels. Requires Rear Seat Height Ⓢ of 14.5" to 18.5".) ..... \$400

#### Carbon Fiber

- TSDG7  Rigid Removable  Small **OR**  Std ..... \$340
- TSDG8  Quad Removable w/Hole  Small **OR**  Std ..... \$375
- TSDG9  Fold Down Rigid  Small **OR**  Std (Not available with Ergonomic Seat or Carbon Edition.) ..... \$510
- TSDG11  Fendered Adjustable (Available with 24" and 25" Rear Wheels. Requires Rear Seat Height Ⓢ of 14.5" to 18.5".) ..... \$565
- TSDG12  Fendered Removable ..... \$510

#### Available on Aluminum and Carbon Fiber Non-Fendered Side Guards

- TSDG13  Side Guards Custom Cut to Profile of Rear Wheels (Not available with Cloth.) ..... \$315

### ARMRESTS (Desk Arms come with built-in Side Guards.)

- TARM1 Swing Away Tubular  6.5" to 9.5" **OR**  9.5" to 12.5" (Not Available with Non-Folding, Fixed Height Titanium Seat Back or Height Adjustable Push Handles.) ..... \$260
- TARM4  Swing Away - Flip Back Tubular 8.5" to 11.5" (Not Available with Non-Folding, Fixed Height Titanium Seat Back.) ..... \$315
- TARM2 Removable Height Adjustable Desk Arm with Rigid Side Guard (Requires 14" minimum Seat Depth Ⓢ. Not available with Ergonomic Seat.) ..... \$360
  - 9" to 12" **OR**  12" to 15"
  - Standard Length Pad (10") **OR**  Full Length Pad (14")
- TARM3 Removable Height Adjustable Desk Arm with Rigid Side Guard and Transfer Loop (Requires 15" minimum Seat Depth Ⓢ. Not Available with Ergonomic Seat.) ..... \$375
  - 9" to 12" **OR**  12" to 15"
  - Standard Length Pad (10") **OR**  Full Length Pad (14")

#### Available Armrest Option

- TARM5  Covered in Black Ultrasuede (Not available with Desk Arms) ..... \$115

### SEAT BELTS

- TBLT1  Velcro Adjustable, Black Nylon Webbing ..... \$55
- TBLT2  Bodypoint® 2" Push-Button Buckle (Auto-Style.) ..... \$95
- TBLT4  Bodypoint® 1" Wide Push-Button Buckle Padded (Auto-Style.) (Not available with 19" or 20" Rear Seat Widths Ⓢ.) ..... \$170
- TBLT5  Bodypoint® 1.5" Wide Push-Button Buckle Padded (Auto-Style.) (Not available with 19" or 20" Rear Seat Widths Ⓢ.) ..... \$170
- TBLT10  Bodypoint® Optional Band Clamp Mounting Hardware ..... \$20
- TBLT15  Bodypoint® EvoFlex® Pelvic Stabilizer Swivel ..... \$185
- TBLT16  Bodypoint® EvoFlex® Pelvic Stabilizer Push Button ..... \$185
- TBLT17  Bodypoint® EvoFlex® Pelvic Stabilizer Rehab Latch ..... \$185

### CALF STRAP

- TCLF2 Velcro Adjustable ..... \$45
  - Xtra Small (Recommended for 6" - 9" Footrest Widths.)
  - Small (Recommended for 9" - 12" Footrest Widths.)
  - Medium (Recommended for 11" - 15" Footrest Widths.)
  - Large (Recommended for 14" - 17" Footrest Widths.)
  - Xtra Large (Recommended for 16" - 19" Footrest Widths.)
- TCLF3 Bodypoint® Padded Velcro Adjustable ..... \$80
  - Medium (Recommended for 11" - 15" Footrest Widths.)
  - Large (Recommended for 16" - 19" Footrest Widths.)
- TCLF1  Buckle Adjustable, Black Nylon Webbing ..... \$30

### RESIDUAL LIMB SUPPORT

- TRSL1  Residual Limb Support ..... \$515
- TRSL2  Residual Limb Support Pair (Both Left and Right Pad information required) ..... \$1,030
  - Left Pad Width  8"  9"  10"      Right Pad Width  8"  9"  10"
  - Left Pad Length  10"  14"      Right Pad Length  10"  14"

### BACKPACK

- TBCK3  Black Permobil Backpack ..... \$95

### SEAT POUCH

- TPCH3  Black Permobil Seat Pouch ..... \$60
- TPCH4  Bodypoint® Mobility Bag ..... \$130

## CUSTOM CONFIGURATION OPTIONS

### SPOKE GUARDS

TGRD1  Clear Lexan with TiMotion Logo (Not available with Mag Rear Wheels.) ..... **\$135**

### ANTI-TIPS

TTIP1  Rear Aluminum - Black ..... **\$195**

TTIP7  Black Aluminum Single ..... **\$100**

Mount on  Left Side or  Right Side ..... **NCO**

TTIP2  User Friendly Flip-up (Not available with Frog Legs® Rear Suspension.) ..... **\$360**

ZTIP8  User Friendly Flip-up Single ..... **\$170**

Mount on  Left Side or  Right Side ..... **NCO**

### ACCESSORIES

TUEST1 Upper Extremity Support Tray  12" to 14" OR  13" to 15" Seat Widths Ⓢ (Requires Armrests.) ..... **\$290**

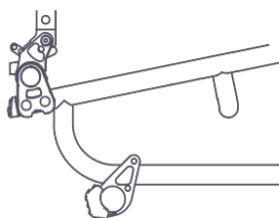
TLUG1  Luggage Carriers ..... **\$145**

TMPCT2 Neoprene Impact Guards with Ultrasuede Stripe  Black ..... **\$105**

TCH1  Crutch Holder ..... **\$145**

## FRAME NOTES

Aero T will always be a Rounded Rear Frame.



**A. Round Rear Frame**

## GENERAL

Permobil manufactures TiLite manual wheelchairs in a wide variety of configurations to meet the varied needs of wheelchair users. The final selection of a particular model, its options and accessories, and its measurements rests solely with the wheelchair user and advising healthcare professional. These wheelchairs must be fitted by a qualified healthcare professional. HCPCS Codes are for reference purposes only. Actual coding and coverage varies by payer. Proper HCPCS coding is not a guarantee of payment. Please verify the appropriate payer's coverage policy.

**Get the latest order forms at permobilus.com.** Prices, standard features, options and accessories are subject to change without notice. All rights reserved. Trademarks are identified by symbols™ and ©. TiLite, TiFit, the TiLite logo, Ti, the Ti logo, The Titanium Experts, and TiShaft are registered trademarks of TiSport, LLC and are licensed to Permobil. Permobil® is a registered trademark of Permobil. Adobe®, Acrobat®, Acrobat Professional® and Reader® are registered trademarks of Adobe Systems Inc. Bodypoint® is a registered trademark of Bodypoint Inc. Kenda® is a registered trademark of Kenda Rubber Industrial Co. Ltd. Ride Designs® and Corbac® are registered trademarks of Aspen Seating, LLC. ROHO®, Low Profile® and Quadro Select® are registered trademarks of ROHO Inc. Schwalbe® is a registered trademark of Ralf Bohle GmbH. Supraco®, Stimulite® and Corbee® are registered trademarks of Supraco, Inc. The Natural-Fit® and Out-Front® are registered trademarks of Three Rivers Holdings, LLC. Varilite® is a registered trademark of Cascade Designs, Inc.

## NOTES

---



---