

HORIZON TILT

TILT COMMODE

STAINLESS STEEL



Our commodes are made with materials such as stainless steel, Tek-4 and Polyurethane (Non-Porous) to ensure they are Anti-Microbial and easy to clean.

Commode frame, metal components and casters are rust proof with stainless steel for long life and durability.

AVAILABLE TEK-4 SEATING AND ACCESSORIES

Tek Stretch 4 is Fluid Proof PU Film laminated to 100% polyester knit T-jersey. 4-way stretch and treated with antimicrobial/antibacterial finish.

AADL CODE: G014 / G067

The HORIZON TILT gives users the ability to comfortably carry out their daily personal care routine safely and effectively. The HORIZON TILT serves similar functions as the Horizon regular commode but has the added bonus of the tilt feature. This option gives users a risk-free change in seating positioning.



Black molded sanitary cover

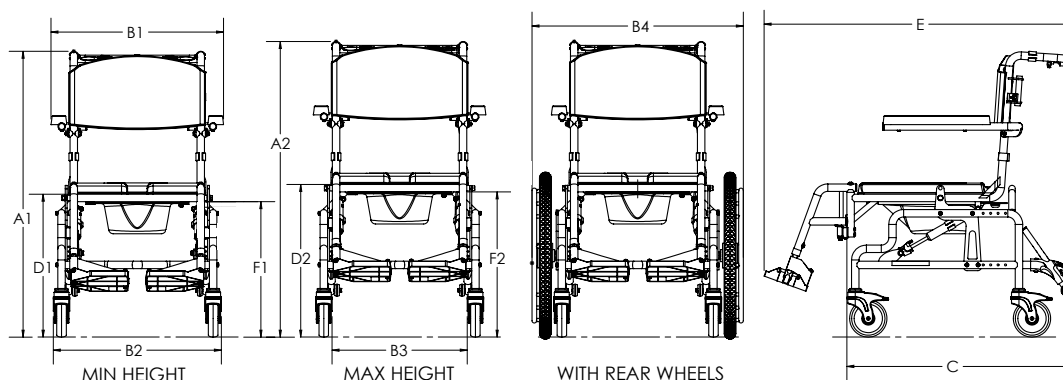


Optional Swing In And Swing Out
Front Rigging



Optional Self propelling wheels

Welcome home



		B1	B2	B3	B4
	CHAIR WIDTH (")	(ARM PAD)	(OUTSIDE CASTER)	(INSIDE CASTER)	(REAR WHEEL)
H1	14	19.188	18.580	14.170	24.400
	15	20.188	19.580	15.170	25.400
	16	21.188	20.580	16.170	26.400
	17	22.188	21.580	17.170	27.400
	18	23.188	22.580	18.170	28.400
H2	19	24.188	23.580	19.170	29.400
	20	25.188	24.580	20.170	30.400
	21	26.188	25.580	21.170	31.400
H3	22	27.188	26.580	22.170	32.400
	23	28.188	27.580	23.170	33.400
	24	29.188	28.580	24.170	34.400
	25	30.188	29.580	25.170	35.400
	26	31.188	30.580	26.170	36.400

	E (OVERALL DEPTH WITH FOOTREST)				C
CHAIR DEPTH (")	60° FOOTREST	70° FOOTREST	80° FOOTREST	90° FOOTREST	(NO FOOTREST)
16	41.215	39.416	37.439	35.350	28.287
18	43.215	41.416	39.439	37.350	30.287
20	45.215	43.416	41.439	39.350	32.287

A1 (OVERALL MIN HT.)	38.402
A2 (OVERALL MAX HT.)	39.715

	NO SEAT	REG. SEAT	SOFT SEAT
D1 (SEAT MIN HT.)	19.202	20.702	21.827
D2 (SEAT MAX HT.)	20.514	22.014	23.139

	NO BRACKET	BRACKET	BUCKET
F1 (PAN MIN CLEARANCE)	18.202	17.443	13.889
F2 (PAN MAX CLEARANCE)	19.514	18.755	15.201

I OR IN O Z T I T

HORIZON 1 TILT

All Features Of Horizon 1 Tilt Are The Following :

- Weight capacity 250 lbs.
- 18" x 18" Easy to clean urethane seat
- Seat width by frame 18"
- Overall width 23.5"
- Rear axle receiver ready
- Silver powder coated finish
- Black urethane contour headrest
- 30° of tilt
- Black urethane easy to clean back rest
- Black molded sanitary cover
- Flip back arms
- Black urethane easy to clean arm pads
- 6" x 10" x 14" Large bucket
- 20" Back height
- 4" x 5" Rust resistant nylon casters (3 total locking casters and 1 directional lock caster)
- 70° Footrest
- Weight of chair: ≈ 46 lbs.

UP CHARGE OPTIONS

- 14" to 20" Seat depth
- 21" to 26" Seat depth
- 14" to 17" Seat width
- 23" to 26" Seat width
- Custom back height
- Capacity 750 to 1000 lbs.
- Tension back
- Lock down flip back arms
- Custom soft seat 18" to 22" (closed oval)
- Custom soft seat 18" to 22" (key hole)
- 60° Footrest
- 80° Footrest
- 90° Footrest
- Elevating leg rest - not water proof
- Angle adjustable footplates - not water proof
- One piece foot board
- Seat belt (plastic)
- Height adjustable casters
- Custom seat to floor height
- Custom soft seats
- Self propelling wheels

HORIZON 2 TILT

All Features Of Horizon 1 Tilt Plus The Following:

- Weight capacity 350 lbs.
- 18" X 18" Easy to clean urethane seat
- Seat width by frame 20"
- Overall width 25.5"
- Heavy duty construction
- Weight of chair: ≈ 49 lbs.

HORIZON 3 TILT

All Features Of Horizon 1 Tilt Plus The Following:

- Weight capacity 450 lbs.
- 21" X 18" Easy to clean urethane seat
- Seat width by frame 22"
- Overall width 27.5"
- Extra heavy duty construction
- Weight of chair: ≈ 51 lbs.

Seat Heights

- 24" Wheels X 5" Casters = 21" Seat to Floor Height

Wheel Option: Self Propelling Wheels

- 24" Wheels/ 5" Casters

Warranty: 5 Years On Frame

- 1 Year on components



Learn more about this product by scanning the QR Code

HORIZON TILT
COMMODE

